

Door Systems

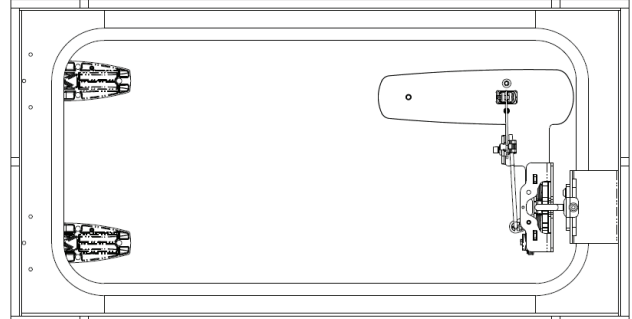
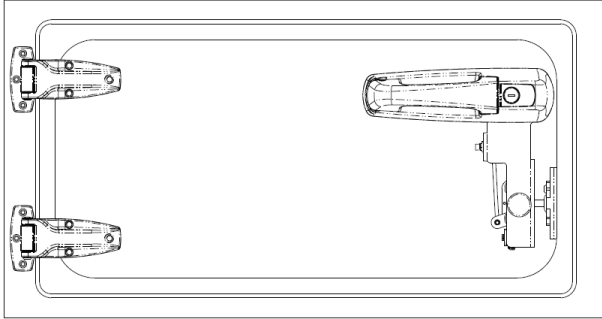
Providing the Big Picture Solutions!



Door System 1: Personnel Door Application

Remote Actuation Exterior Pull Handle, Single Rotor Latch with On-Latch Inside Release Lever

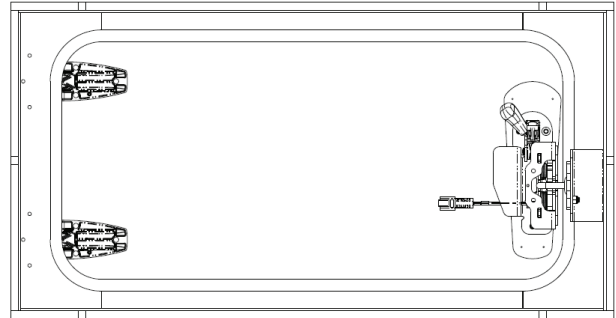
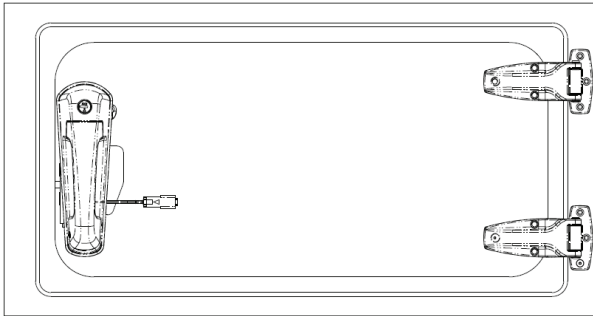
- 020-0850 e-LOCK Pull Handle
- 050-1900 8mm Single Rotary Latch with On-Latch Inside Release
- 070-1000 8mm Hoop Strike
- Rod Connection



Door System 2: Personnel Door Application

Direct Actuation Exterior Pull Handle, Single Rotor Latch with On-Latch Inside Release Lever and State Sensing

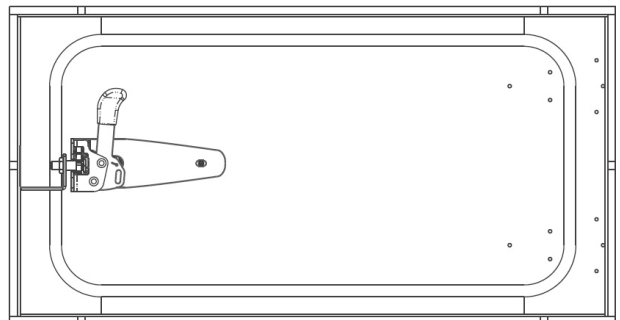
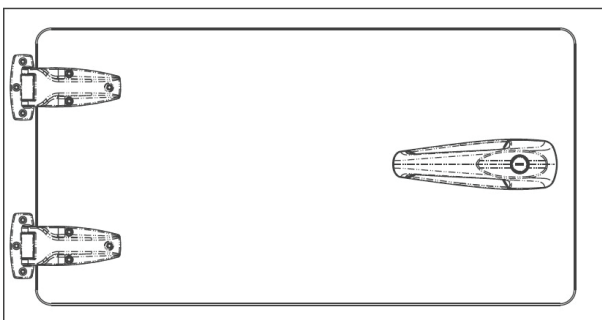
- 020-0800 Pull Handle
- 050-1900 8mm Single Rotary Latch with On-Latch Inside Release and State Sensing
- 070-1000 8mm Hoop Strike
- Mounting Bracket with Inside Door Closing Grip Surface



Door System 3: Personnel Door Application

Direct Actuation Exterior Push Button Handle, Single Rotor Latch with On-Latch - Inside Release Lever

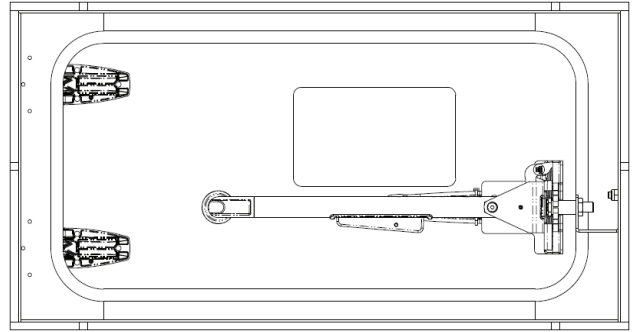
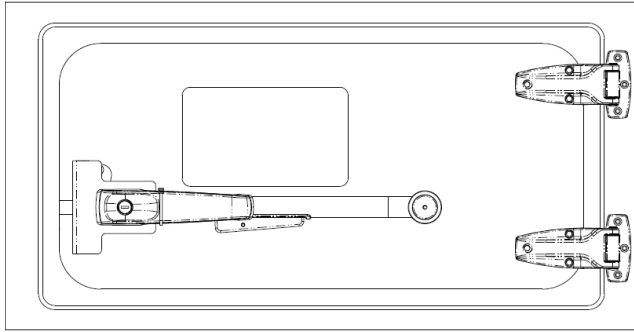
- 040-0800 Pushbutton Handle
- 050-0700 12mm Single Rotor Latch
- 070-0400 12mm Striker



Door System 4: Personnel Door Application

Direct Actuation Exterior Push Button Handle, Rotary Latch with Remote Squeeze Release and Tube

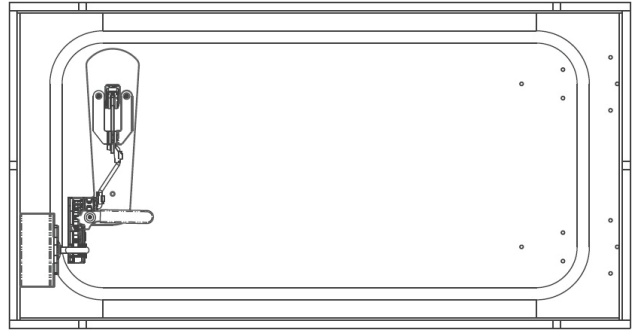
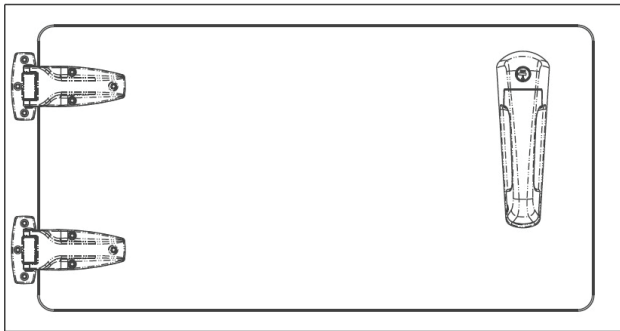
- 040-0600 TriMount Push Button Handle
- 050-0106 Two Rotor Latch with Direct Push Release
- 020-0900 Remote Squeeze Release with 25mm Tube
- 070-0200 Striker



Door System 5: Personnel Door Application

Remote Actuation Exterior Pull Handle, Single Rotor Latch with On-Latch Inside Release Lever

- 020-0800 Pull Handle
- 050-0550 8mm Single Rotor Mini-Latch with On-Latch Inside Release
- 090-0201 Push Button Linkage
- 070-1000 8mm Hoop Strike
- Rod Connection



Door System 6: Personnel Door Application

Direct Actuation Exterior Push Button Handle, Single Rotor Latch with On-Latch Inside Release Lever

- 040-0800 Push Button Handle
- 050-0550 8mm Single Rotor Mini-Latch with On-Latch Inside Release
- 070-1000 8mm Hoop Strike

